

IMPORTANT SAFETY INSTRUCTIONS

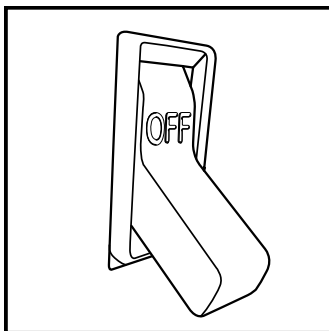
CAUTION - IF THE LAMP OR LUMINAIRE EXHIBITS UNDESIRABLE OPERATION (BUZZING, FLICKERING, ETC.), IMMEDIATELY TURN OFF POWER, REMOVE LAMP FROM LUMINAIRE AND CONTACT MANUFACTURER.

CAUTION - RISK OF FIRE - DO NOT INSTALL THIS LAMP IN A PRE-HEAT LUMINAIRE. THIS LAMP ONLY OPERATES ON ELECTRONIC BALLASTS. IF LAMP DOES NOT LIGHT WHEN THE LUMINAIRE IS ENERGIZED, REMOVE LAMP FROM LUMINAIRE AND CONTACT LAMP MANUFACTURER OR QUALIFIED ELECTRICIAN. THIS DEVICE IS NOT INTENDED FOR USE WITH EMERGENCY EXITS OR EMERGENCY LIGHTING.

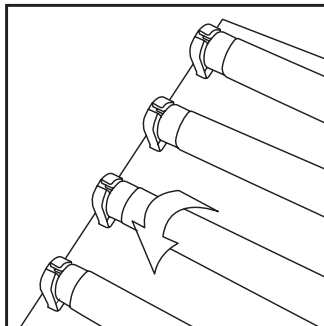
Suitable for damp locations. Enclosed fixture required for outdoor use.

CAUTION: Discontinue use if damaged. Turn power off before installation or removal.

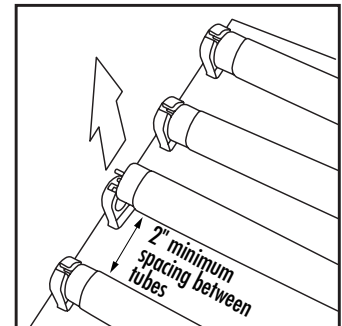
5 YEAR LIMITED WARRANTY: Return of defective product and receipt required for warranty claims. Duration of Limited Warranty voided for misuse of product per caution statement. For complete Limited Warranty details visit tcp.com/corp/warranty/tcpetail.aspx



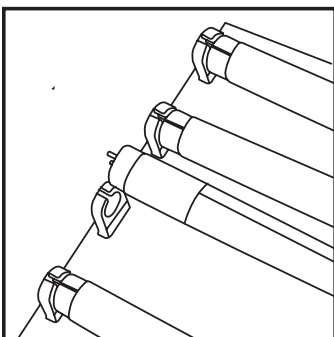
① Switch Power OFF



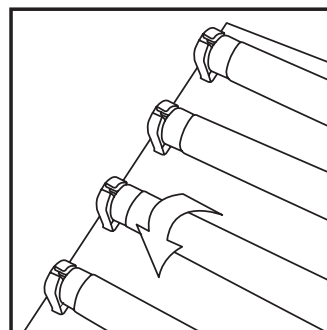
② Twist fluorescent tube until slots are visible. If luminaire is equipped with a diffuser, remove at this time.



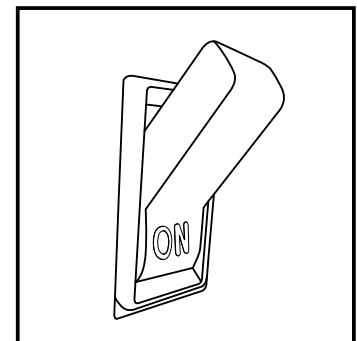
③ Verify that the tube being removed is compatible with the T8 lamp. Twist the tube and pull down to remove tube.



④ Line up T8 lamp ends in slots, and twist lamp to secure.



⑤ Twist T8 lamp to secure until resistance is met. Make sure light emitting side is facing out. Replace all lamps. Black lines on lamp to match up with slots of the socket.



⑥ Replace Diffuser.

⑦ Switch on power to test.